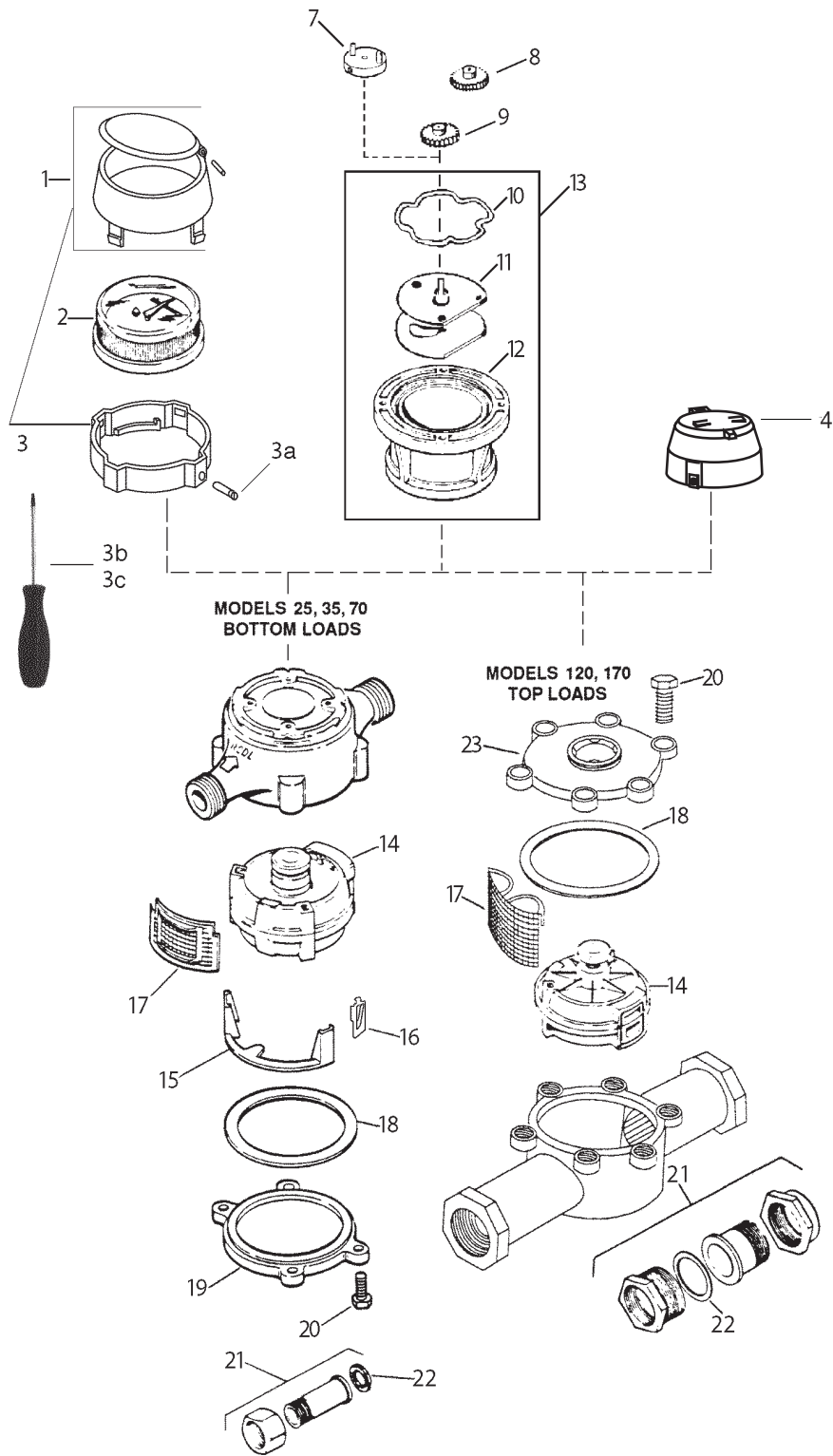




Badger Meter

Recordall® Industrial Meters

Models 25, 35, 70, 120 and 170, Bronze, 5/8" – 2"



Parts List

Jamieson Equipment Company
www.jamiesonequipment.com
toll free 800.875.0280



Order Information: This parts list shows an exploded view of the product with specific reference to those items available for replacement. The item number and part number may change at any time. Therefore, it is important, when placing an order, that you provide a complete description of the part, meter size, model and serial number.

Item	Description	Model 25	Model 35	Model 70	Model 120	Model 170
		1/2"	3/4"	1"	1-1/2"	2"
1	Shroud assembly, plastic (cover, top & roll pin) (no btm.)	62416-001	62416-001	62416-001	62416-001	62416-001
2	Register assembly, (up to 120° F)					
	U.S. gallons	63961-002	63961-060	63961-068	63961-011	63961-057
	Cubic meters	63961-007	63961-062	63961-070	63961-014	63961-059
	Register assembly, (up to 250° F)					
	U.S. gallons	58932-002	—	58932-015	58932-017	—
	Liters	58932-005	—	58932-009	58932-018	—
3	Shroud Assembly, Plastic.(Cover, top, btm. & roll pin)	62696-001	62696-001	62696-001	62696-001	62696-001
3a	Screw, Tamper-Resistant	62335-001	62335-001	62335-001	62335-001	62335-001
3b	TORX® Seal Screw Driver & Bit (Stubby)	62658-001	62658-001	62658-001	62658-001	62658-001
3c	TORX® Seal Screw Driver & Bit (Long)	62658-003	62658-003	62658-003	62658-003	62658-003
4	Pulse Transmitter/ Register, RTR	Please advise meter size, model and unit of measure.				
7	Coupling (Series 76 Reg.)	56646-001	56646-001	56646-001	56646-001	56646-001
8	Change Gear, Driver	—	—	—	—	—
9	Change Gear Driven	—	—	—	—	—
10	Retaining Ring	01013-000	01013-000	01013-000	01013-000	01013-000
11	Gear Train (234:1)	56065-004	56065-004	56065-004	56065-004	56065-004
11	Gear Train (30:1)	56065-005	56065-005	56065-005	56065-005	56065-005
12	Housing, Mach	58091-002	58091-002	58091-002	58091-002	58091-002
13	Gear Train Assy. (234:1)	56066-004	56066-004	56066-004	56066-004	56066-004
13	Gear Train Assy. (30:1)	56066-005	56066-005	56066-005	56066-005	56066-005
14	Chamber & Disc Assy., Std Chamber & Disc Assy., LCP	33334-009	33334-029	33334-016	33334-017	33334-028
	(Coated Magnet) Viton Seals	58908-006	—	63079-002	63079-002	—
	Chamber & Disc Assy., LCP (Coated Magnet) EPR Seals	58908-010	—	—	—	—
15	Chamber Retainer Strap (Low Temp. Only)	58540-001	58540-001	56188-001	—	56188-001
16	Spring Clip (High Temp. Only)(2 Reqd.)	62695-001	—	62695-002	62695-002	—
17a	Screen (low temp. only)	34333-001	59805-001	—	62172-001	59720-001
17b	Screen/Strap Combination (low temp. only)	64942-001	—	59186-001	—	—
18	Housing Gasket , EPR (Low Temp. Only)	11071-033	59782-001	58769-001	59239-001	59722-001
	Housing Gasket, Viton	11071-045	—	58769-002	62171-002	—
19	Housing Bottom	62635-001	59784-001	59703-001	—	—
19A	Washers (6 needed)	—	—	24991-044	—	—
20	Housing Bolt	62777-001	62777-001	59733-001	55029-089	55029-089
21	Connection Assy (Cold Fluids)	07557-002	07559-002	07561-002	07563-000	07564-000
21A	Connection Assy (Hot Fluids)	07557-019	07559-005	07561-004	—	—
22	Connnection Washer (Cold Fluids)	11012-001	14143-000	18177-000	01331-000	01359-000
22A	Connection Washer (Hot Fluids)	06125-002	06140-000	06142-000	—	—
23	Housing Top	—	—	62176-001	59719-001	—

Recordall is a registered trademark of Badger Meter, Inc. Other trademarks appearing in this document are the property of their respective entities.

Due to continuous research, product improvements and enhancements, Badger Meter reserves the right to change product or system specifications without notice, except to the extent an outstanding contractual obligation exists. © 2013 Badger Meter, Inc. All rights reserved.

